


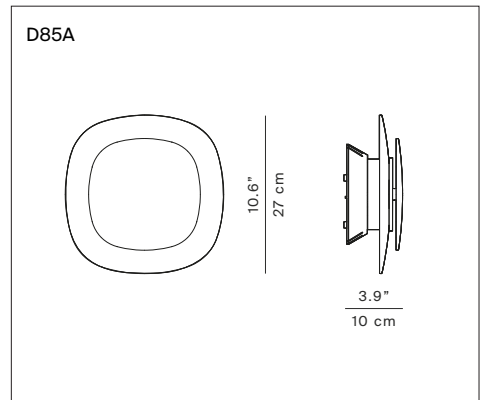
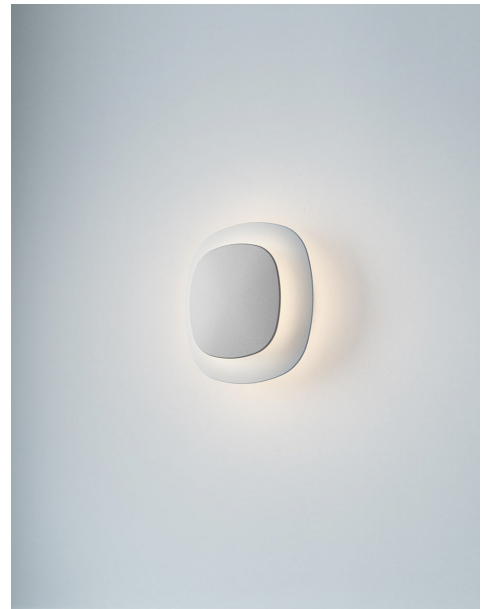
LUTHIEN

design Monica Armani

**LUCE
PLAN**

- Type: Wall
- Light source: **D85A** LED module 25W⁽¹⁾ 2700K CRI 90
@ 120V~ Triac/ELV dimmer
@ 120-277V~ 0-10V only
- D85AC** LED module 25W⁽¹⁾ 3000K CRI 90
@ 120V~ Triac/ELV dimmer
@ 120-277V~ 0-10V only
- Product use: Indoor
Damp location
Wall mount only
- Materials: Aluminium and polycarbonate
- Colors: Matt white
- Description: A wall lamp with extraordinary decorative character and immediate impact. The structure is the result of the staggered overlaying of two concentric surfaces in technopolymer.
- Marking:  **ADA**

- Reference code: **D85A** 1D850A000502 white
D85AC 1D850AOC0502 white



⁽¹⁾ Power consumption by device

