

# BONALDO

## Globalove

Designer: **Karim Rashid**

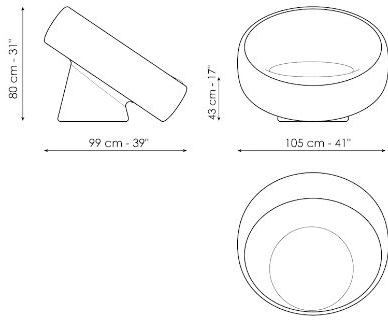


Inspired by the idea of purity and the reduction of forms to the essential which ideally recall those of "Mother Earth", the Globalove armchair designed by Karim Rashid stands out in particular for its comfortable and enveloping seat and a highly original profile. Resting on the ground, the seat takes on the configuration of a circular band, which incorporates

the backrest and houses the cushion. Karim Rashid's design style also emerges in the combinations of covers which can be either contrasting and perfectly typical but also equally capable of integrating harmoniously with other furnishing elements.



# Data sheet



## **Globalove**

Width: 99cm

Depth: 105cm

Height: 80cm

# Finishes

You can find the complete collection of Bonaldo fabrics and leathers on the website <https://www.bonaldo.biz/>

