

# TECHNICAL SPECIFICATION

## Gaulino chair

OSCAR TUSQUETS  
2011



### COMPONENTS and MATERIALS:

STRUCTURE AND BACK REST in ash.  
SEAT in plywood and upholstered in leather.

### FINISHES:

Natural ash with seat in natural hide.  
Ash lacquered in black with seat in black hide.

### DIMENSIONS and WEIGHTS:

Chair: 55 x 51 x h. 83,5 cm (6kg).

### PACKAGING:

All models are sent stacked in twos, packed in a cardboard box.

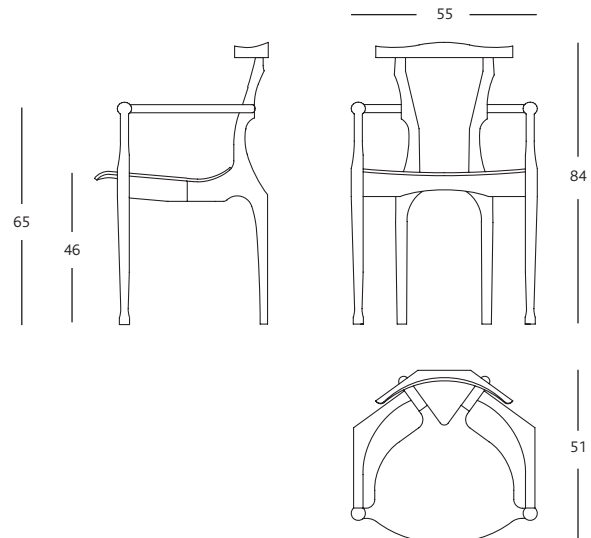
### CERTIFICATES:

This product meets the requirements outlined in UNE EN 15373:07, level 1 for moderate public use.

### CLEANING AND MAINTENANCE:

The wood must always be cleaned with a slightly humid cloth and dried with a cotton cloth.

The leather seat must be cleaned with a cotton, dry cloth (we suggest a white cloth). For maintenance it is recommended that a natural colourless wax be applied.



MEASUREMENTS IN CM



### BD Barcelona Design

Ramon Turró, 126 / 08005 Barcelona  
Tel +34 93 458 69 09 / Fax +34 93 207 36 97  
bd@bdbarcelona.com / www.bdbarcelona.com

### Technical Department

Carretera Capellades / km 22,750  
Narcís Monturiol, 7 / Pol. Ind Sesrovires  
Sant Esteve de Sesrovires / 08635 Barcelona  
Tel +34 93 771 30 51 / Fax +34 93 771 32 32