

# **BONALDO**

## Pil armchair

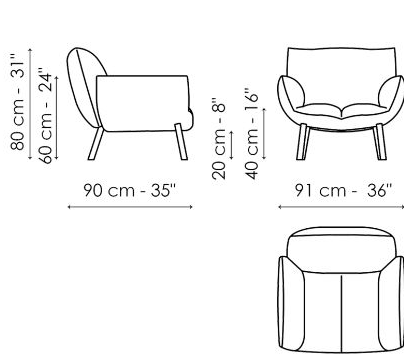


The Pil armchair is inspired by the object that is itself a symbol of softness, the pillow: usually interpreted as an accessory, here the pillow plays the starring role, shaped and adapted to create the most comfortable armchair that conveys relaxation. The main components of Pil are the backrest cushion and the seat cushion. The latter features a fold in the middle, created to generate an enveloping effect

that physically and visually emphasises the feeling of softness. The base has legs in painted metal or with elegant finishes. The Pil collection, in addition to the armchair, also includes a series of coordinated seats: Pil, (chair), Pil up (chair with high backrest), Miss Pil (chair with armrests), Miss Pil up (chair with high backrest and armrests) and Pil too (stool).

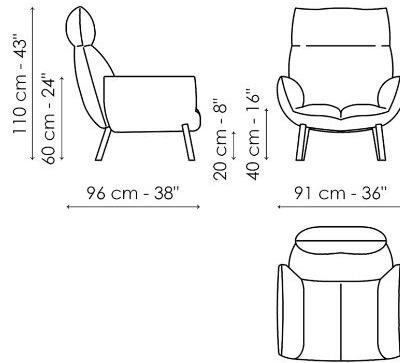


# Data sheet



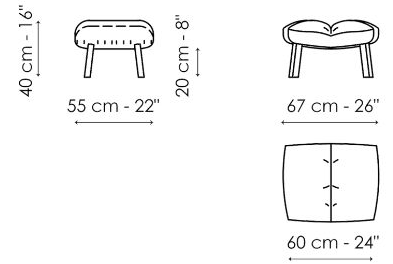
## Pil armchair

Width: 91cm  
Depth: 90cm  
Height: 80cm



## Pil armchair hi

Width: 91cm  
Depth: 96cm  
Height: 110cm



## Pil armchair footrest

Width: 55cm  
Depth: 67cm  
Height: 40cm

# Finishes

## FEET

### Metal



**Painted metal**  
Mat white



**Painted metal**  
Mat dove grey



**Painted metal**  
Supreme anthracite

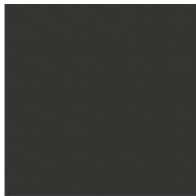


**Painted metal**  
Mat black

### Plus Metal



**Painted metal**  
Mat bronze



**Painted metal**  
Mat lead



**Painted metal**  
Mat copper



**Painted metal**  
Mat brass



**Painted metal**  
Mat pearl gold

---

Materials, fabrics, leathers, colors and finishes are approximate and may slightly differ from actual ones. You can find the complete collection of Bonaldo fabrics and leathers on the website <https://www.bonaldo.biz/>

