



# Cellula

Design Studiopang



Cellula is a wall metal container. A unique measure and three finishes: white, burnished and bronze patinated. Suitable for any place, able to give life to a wall by the multitude of different faceted combinations and distinctly geometric character where full and empty alternate almost imperceptibly, makes a strong combination of aesthetics and functionality. With Cellula the wall takes shape by personalizing it with mini compositions of 2 or 3 modules up to the more articulated ones where the limit is only the creativity. The door kit is an accessory. It is fixed to the container by magnets and can be applied, removed or moved at any time, quickly and completely independently.

## MATERIALS, COLORS AND FINISHES

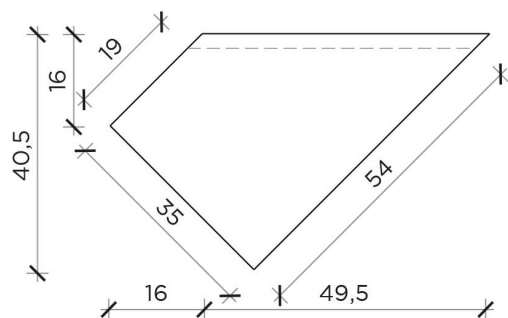
### MATERIALS MATCH

Materials can show differences in colour from one lot to another. Mogg srl declines any responsibility in the case of any colour differences for materials and does not guarantee the exact colour correspondence between this sample and the finished product. Mogg srl reserves the right to make the products and finishing the changes it deems appropriate, at any time and without notice.

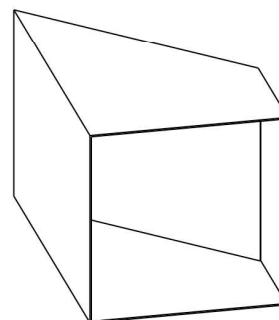
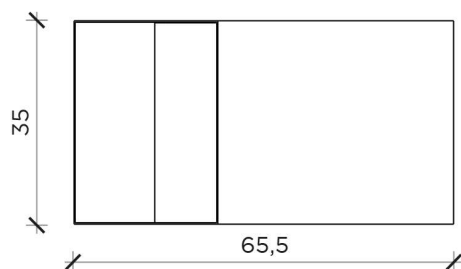
Finishing



PIANTA | PLAN



FRONTE | FRONT

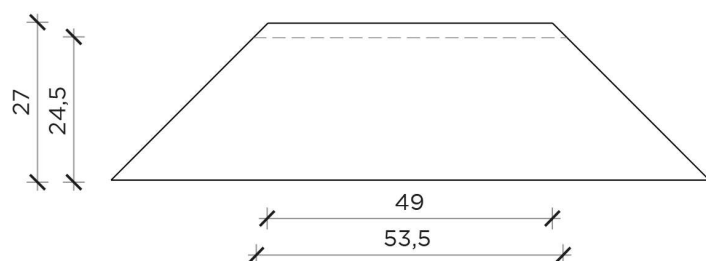


## CELLULA

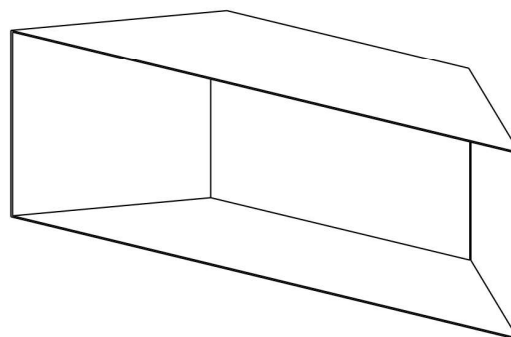
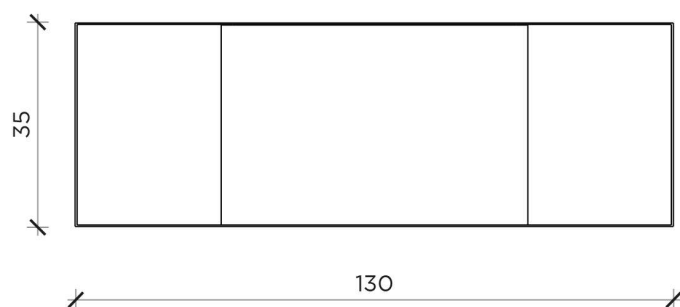
## Contenitore | Wall unit

Designer: Studio PANG  
 Anno | Year: 2018  
 Materiali | Materials: Contenitore pensile in metallo verniciato | Painted metal wall unit

PIANTA | PLAN



FRONTE | FRONT

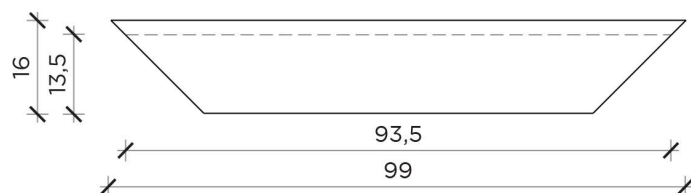


## CELLULA ang. aperto

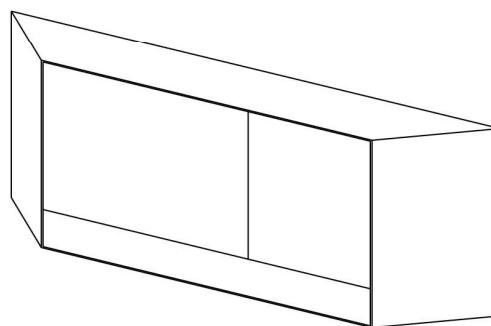
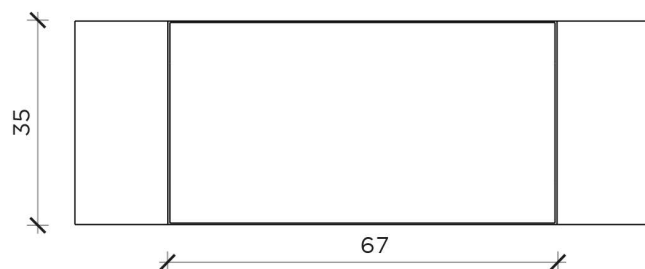
## Contenitore | Wall unit

Designer: Studio PANG  
 Anno | Year: 2019  
 Materiali | Materials: Contenitore pensile in metallo verniciato | Painted metal wall unit

PIANTA | PLAN



FRONTE | FRONT



## CELLULA ang. chiuso

## Contenitore | Wall unit

Designer: Studio PANG  
 Anno | Year: 2019  
 Materiali | Materials: Contenitore a parete in metallo verniciato | *Painted metal wall unit*