

# SILENZIO

design Monica Armani



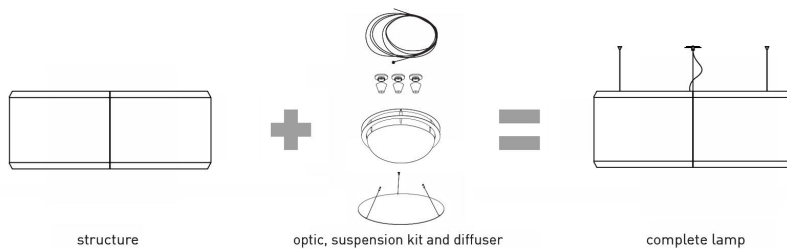
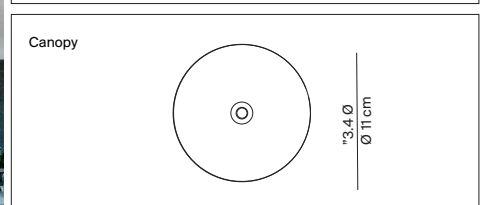
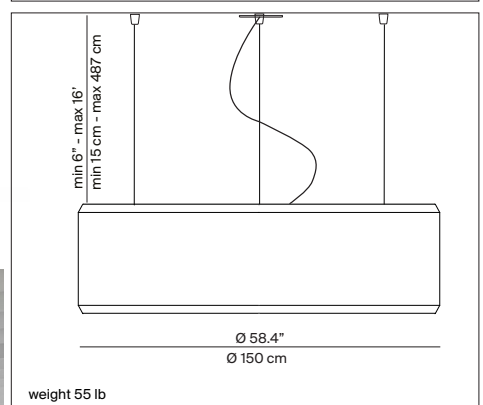
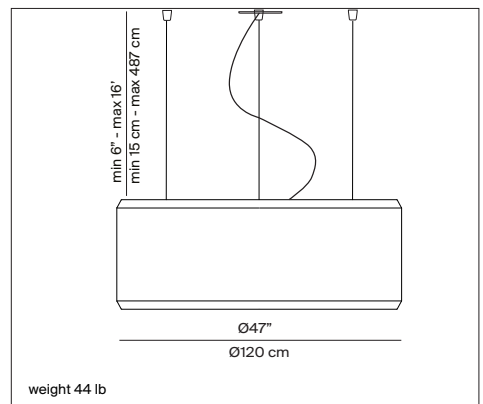
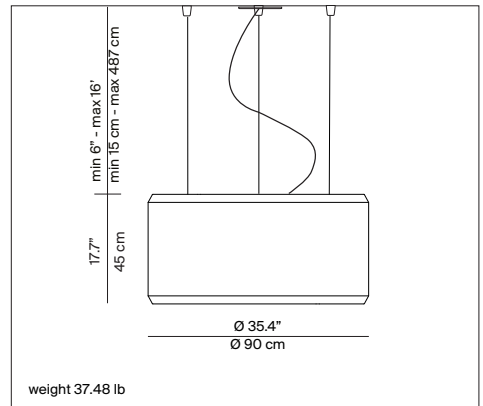
Type: Suspension  
 Light source : LED 42W 3000 or 3500K CRI 90 120/277V~ 60Hz  
**Upon request 4000K optic also available**  
 3 x max 30W LED medium base 120V only  
 Product use: Indoor  
 Materials: textile, Remix 2 (90% wool, 10% nylon)  
 Colors: see the textile references  
 Description: The quality of light combined with acoustic comfort and the beauty of Kvadrat fabrics. Silenzio is a lighting system that combines decor solutions with high sound absorption for public and private spaces.

Certifications:

Reference code : D79/90c structure	1D7909C000A2	light grey	(RMX 133)
	1D7909C000A3	dark grey	(RMX 152)
	1D7909C000B2	rust	(RMX 252)
	1D7909C000B1	sand	(RMX 242)
D79/120c	1D7912C000A2	light grey	(RMX 133)
	1D7912C000A3	dark grey	(RMX 152)
	1D7912C000B2	rust	(RMX 252)
	1D7912C000B1	sand	(RMX 242)
D79/150c	1D7915C000A2	light grey	(RMX 133)
	1D7915C000A3	dark grey	(RMX 152)
	1D7915C000B2	rust	(RMX 252)
	1D7915C000B1	sand	(RMX 242)

Reference code: D79R/02 optics	9D7903610600	3 x max 30W LED medium base
(canopy and suspension cable included)	D79R/25	9D7925103300 LED 42W dimmable 3000K CRI 90
	D79R/26	9D7926103400 LED 42W dimmable 3500K CRI 90

Reference code: D79R/07 satin diffuser (optional)	9D7907726000	for D79/90
	9D7907726100	for D79/120
	9D7907726200	for D79/150

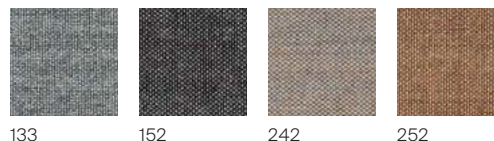


## Chromatic Journey

Textiles by

Kvadrat Remix 2  
fabric designed by Giulio Ridolfo.  
(90% wool, 10% nylon).

### Standard colours



EN The Silenzio lamp is covered in grisaille-type Kvadrat fabric featuring material and elegant texture. The collection comes in four colours with matching hues and other colour ranges are also available in support of the customer's choice to customise the suspensions in a "chromatic journey".

IT La lampada Silenzio è ricoperta dal tessuto Kvadrat con un aspetto "grisaglia" e una texture dalla mano materica ed elegante. Per la collezione sono stati abbinati cinque colori in tono fra loro e sono state effettuate ulteriori selezioni cromatiche per supportare la scelta del cliente nella personalizzazione delle sospensioni in una sorta di "viaggio cromatico".

DE Silenzio ist die schallabsorbierende Oberfläche der Leuchte mit Stoff von Kvadrat bezogen, mit seiner grisailleartigen, rau-eleganten Optik. Für die Kollektion wurden fünf zueinander passende Farbnuancen kombiniert. Die zusätzlichen Farben wollen unsere Kunden bei ihrer individuellen Farbauswahl für den Bezug und die Abhängungen unterstützen und zu einer „chromatischen Reise“ einladen.

FR La lampe est revêtu d'un tissu Kvadrat avec un aspect "en grisaille" et d'une texture élégante et substantielle. Pour la collection Silenzio, cinq couleurs dans les mêmes tonalités ont été employées, enrichies d'ultérieures sélections chromatiques pour répondre à tous les désirs de nos clients afin de personnaliser panneaux et suspensions en créant un véritable "voyage chromatique".

ES La lampara está recubierto del tejido Kvadrat con un aspecto de «grisalla» y una textura matérica y elegante. Para la colección Silenzio se han combinado cinco colores pertenecientes a la misma gama de tonos, si bien se han realizado además otras selecciones cromáticas para apoyar las preferencias del cliente en la personalización de paneles y suspensiones, dentro de un «viaje cromático».

### Possible color schemes available upon request, for customized solutions

#### Green



412

912

942

#### Blue



733

743

753

#### Green/Beige



223

923

#### Pink/lilac



6 2 8

722

2 5 8

#### Orange



443

543

653

#### Grey



123